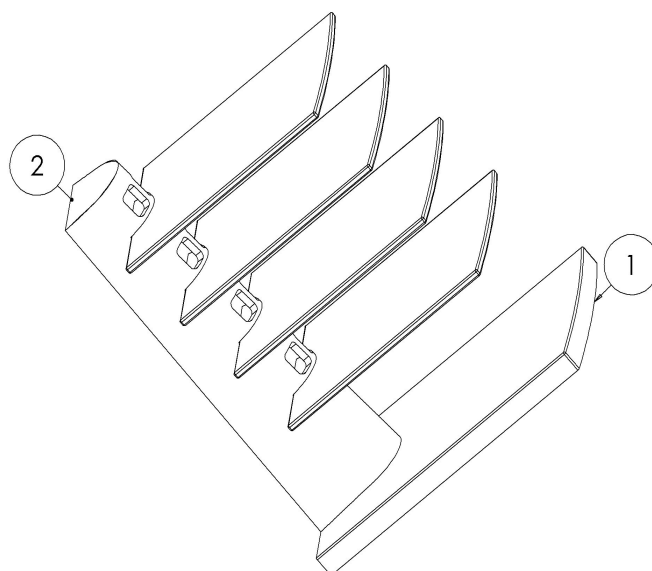


Thank you for buying our Modena™
Audiophile Furniture.



LIFTING: Please make sure you lift the unit by holding the base (1) and the back pillar (2), as shown in the diagram.

Lifting by one or more shelves is likely to result in damage, as they are not able to bare the weight of the whole unit.

Because of the weight, you may need two people to lift a Modena™ unit !

INSTALLATION: On the underneath of each Modena unit you will find three spiked feet – two spikes at the front and one at the rear.

Place the unit in position and level it by adjusting the front feet. It is easier to do this before placing all your equipment on it.

Models: These instructions are appropriate for all of the Modena™ units we manufacture.

Please see www.audioitalia.co.uk for more details

MODENA™ Audiophile Furniture Instructions for Use

USE: We do hope our MODENA™ audiophile furniture provides many years of pleasure and real pride of ownership. The units are durable provided they are not mistreated.

CLEANING: To clean the surface, please use a damp cloth and a mild detergent or alternatively a regular household polish, wiping with a non-abrasive material.

If the unit becomes marked in some way, then a mildly abrasive household cleaner can be used in moderation. Simply put a little of this on a soft cloth, polish and then buff with a clean cloth.

Please do not exposure a platform to temperatures approaching 100°C.

If in doubt about carrying or use, please email Info@audioitalia.co.uk with your enquiry.